

ANSI standards changes and the rental business: what is going to be different?

Teresa Kee
Director, Field Safety
United Rentals



TODAY...

- ANSI A92 Basics
- Significant Changes
- Impacts and Considerations
- Opportunities



ANSI/SAIA A92

Mobile Elevating Work Platform (MEWP) Standards

Standards by Equipment Type

A92.3	Manually Propelled
A92.5	Self-Propelled Booms
A92.6	Mobile Elevating Work Platforms
A92.8	Truck Mounted Bridge Inspection and Maintenance Equipment

Suite of Standards

A92.20	Design
A92.22	Safe Use
A92.24	Training

ANSI/SAIA A92

Mobile Elevating Work Platform (MEWP) Standards

ENTITY

- Manufacturer
- Dealer
- Owner
- User
- Operator
- Lessor
- Lessee
- Broker

TASK

- Safe-use planning
- Manuals
- Record retention
- Maintenance
- Inspections
- Repair
- Risk assessment
- Personnel qualification & training
- Requirements of operation

Terminology

AWP to
MEWP

Operation
Manuals

Occupant
&
Supervisor

Types
&
Groups

MEWP Classification – Groups and Types

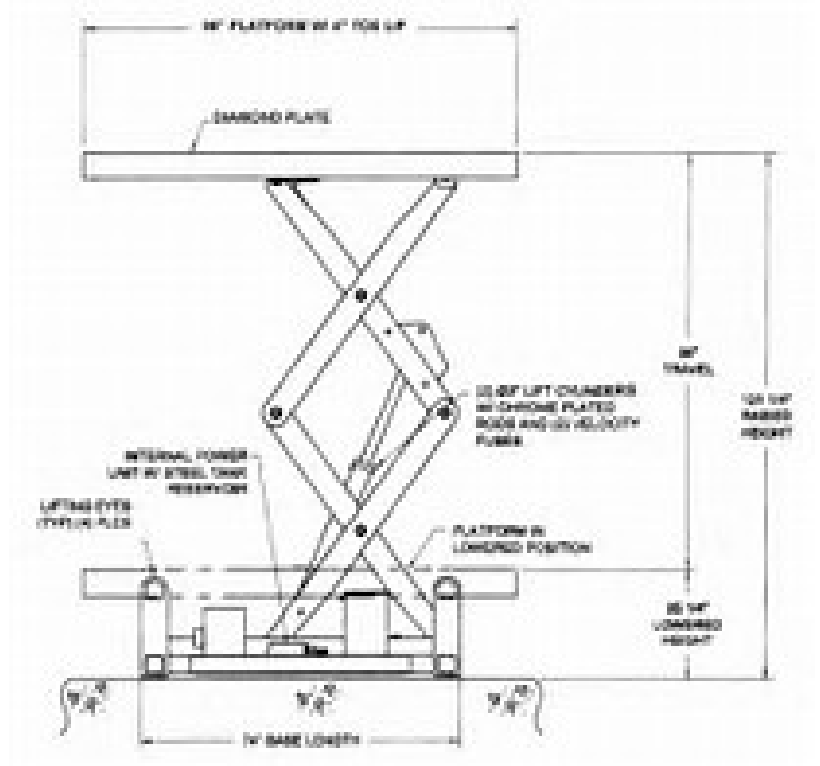




Are we close to the finish line or just getting started?

ANSI/SAIA A92.20

Design Calculations, Safety
Requirements and Test (Methods for
Mobile Elevating Work Platforms
MEWPs)



A92.20 Highlights

- Evidence of annual inspection
- Familiarization details within the manufacturers' operator's manual



(SAMPLE AI DECAL)

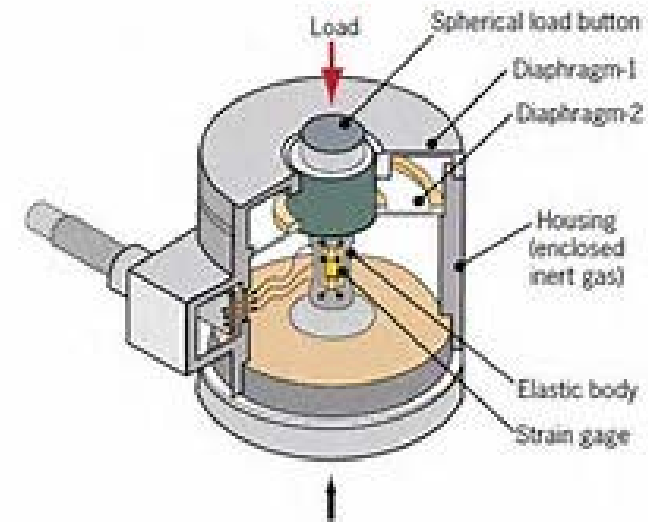
A92.20 Highlights



- Tilt alarm sensors with limited movement – visual warning
- Stability calculations = foam filled tires on RT machines

A92.20 Highlights

- Elimination of chain gates and addition of toe boards at entrances
- MEWPs designed for indoor use only
- Load sensing system



A92.20 Highlights

- Increased guard rail height
- Increased effect of wind load
- Group A MEWPs may be equipped with either fall restraint or fall arrest anchorages



Impacts, Considerations and Opportunities

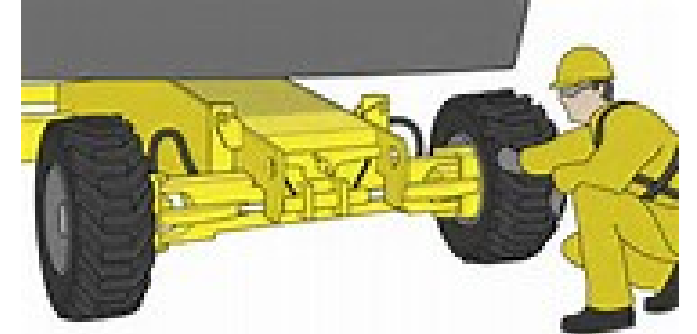
- Evidence of annual inspection
- Detailed information for familiarization
- Training of employees to conduct proper familiarization
- Safer and more effective use of equipment

Impacts, Considerations and Opportunities

- Education of employees and customers on equipment features
- Indoor only MEWPs
- Service calls related to load sensing, tilt sensor etc.
- New height of railing
- Foam filled tires

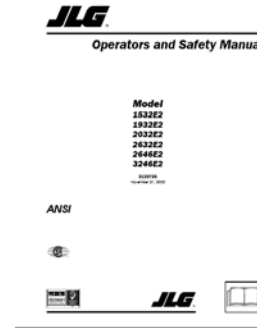
ANSI/SAIA A92.22

Safe Use of Mobile Elevating Work Platforms (MEWPs)



A92.22 Highlights

- Responsibilities
- Occupants and Supervisors
- Term – Operation Manuals
- Service and parts manuals
- Manufacturers' Safety Bulletins



A92.22 Highlights

Familiarization

- Details included in Operator's manual
- Offer versus provide
- Self-familiarization may be authorized
- User allowance for operator proficiency prior to start of work



A92.22 Highlights

Safe Use Training

- Operator qualification
- Occupant knowledge and supervisor training
- User conformance evaluations
- Examples of situations when retraining would be necessary



A92.22 Highlights

- Maintenance and repair
- Modifications
- Safe use and planning
- Risk assessment



A92.22 Highlights

Wind and Storm Considerations

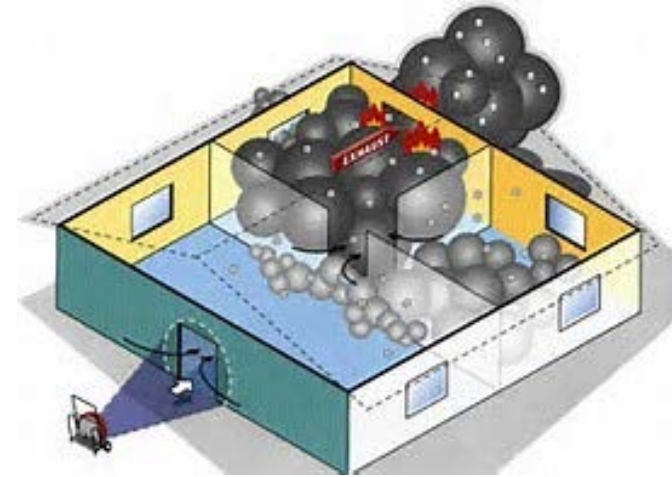
- Effect of wind forces on MEWPs
- Effect of wind on equipment in the work platform
- Local wind effects
- Use in thunderstorms

Ground Condition Considerations

- General
- Inadequate stabilizing device foundations
- Sub-surface voids

A92.22 Highlights

- Transporting on public roads
- Ventilation
- Entanglement
- Exiting elevated work platforms
- Electrical Hazards



Impacts, Considerations and Opportunities

- Inspection process to include open service bulletins
- Registration with manufacturer is “new” owner’s responsibility
- Training of maintenance and repair technicians
- Exiting at height
- Risk assessment

ANSI/SAIA A92.24

Training Requirements for the Use,
Operation, Inspection, Testing and
Maintenance of Mobile Elevating Work
Platforms (MEWPs)



A92.24 Highlights



- Training required per classification
- Contents of theory (classroom/online) training
- Contents of practical (hands-on) training
- Trainee understanding

MEWP Occupant Knowledge



- The MEWP operator shall provide instruction to occupants have to work safely on the MEWP
- Operation of the controls in an emergency

A92.24 Highlights

Supervisor Training

- **Supervisor** - An entity assigned by the user to monitor operator performance and supervise their work
- Training for supervisors



A92.24 Highlights

Testing

- To demonstrate competency, each trainee shall show proficiency in both theory (classroom/online) and practical (hands-on)
- Examples available

**Appendix A
(informative)
Example of Knowledge Evaluation Sheet**

TYPE 1, TYPE 2 & TYPE 3 MEWPS		Training Date: _____
Name of training entity: _____ Name of examiner: _____		
Name of candidate: _____		
MEWP(s) covered: _____		
Mark if acceptable		
PUBLIC SAFETY	Know the manufacturer's obligations	
REGULATIONS, STANDARDS AND TEXTS	Know the user's obligations (training, issuing of the authorization to operate) and the operator's responsibility	
CLASSIFICATION	Know MEWP classifications by category	
TECHNOLOGY	Know the technology of the different elements of the MEWP	
CHARACTERISTICS	As a function of the different categories of MEWP, able to identify the characteristics of each category, the common uses, the advantages and disadvantages	
	Know the hazards: overturning (wind, nature of the ground, work platform load) falling, crushing, etc.	

**Appendix D
(informative)
Practical Knowledge Evaluation Test for Type 3 MEWPs — Example**

TYPE 3 MEWPs		Date: _____
OBSERVATIONS		
Name of instructor: _____		
Name of trainee: _____		
The trainee is capable of: _____		
Mark if acceptable		
		Vertical axis Horizontal axis Diagonal axis
SUITABILITY	Assess the suitability for the task	X X
VERIFICATION	Visually check the condition of the MEWP	X X
	Verify that the safety-related items specified by the manufacturer operate correctly	X X
Platform in the direction of travel	Travel in a straight line forwards	X X
	Travel in a straight line backwards	X X
	Travel in a curve (slalom, bend) forwards	X X
	Travel in a curve (slalom, bend) backwards	X X

**Appendix E
(informative)
MEWP Operator Training: Certificate of Completion— Examples**

I the undersigned (Trainer/Evaluator's name and Surname), acting in the capacity of evaluator for
 — the company (Corporate name of the company)¹
 — the body referred to (Corporate name of the body)²
 after having verified the theoretical and practical knowledge of (Operator's name and forename), issue operator with the

Safe Operating Aptitude Certificate

For the operating of MEWPs of the following classifications:

Date: _____

Impacts, Considerations and Opportunities

- Occupant information and Supervisor training
- New training offerings
- Examples for documentation

Next Steps

Considerations

Review:

- ✓ ANSI A92 Standards
- ✓ Equipment inspection process
- ✓ Rental process
- ✓ Documentation and retention
- ✓ Employee training



Opportunities

- ✓ Update training offerings
- ✓ Customer training
- ✓ Customer communications

For more information... www.ipaf.com



The screenshot shows the IPAF website homepage. The top navigation bar includes links for 'About IPAF', 'Training', 'Publications & Films', 'Services', 'Membership Directory', and 'Resources'. The 'Resources' link is highlighted. Below the navigation bar, there is a 'Welcome to the IPAF Website' section, a 'News from IPAF' section with several news items, and a 'Members Only Login' section with fields for 'Username' and 'Password'. A 'Verify PAL Card' button is also visible in the top right corner.

The document cover features the IPAF logo and the tagline 'The world authority in powered access'. The title is 'GUIDE TO NEW DESIGN, SAFE-USE AND TRAINING STANDARDS FOR MEWPS'. It specifies 'Canada and the USA, March 2017. Document version 1.0'. The website 'www.ipaf.org' is listed. An illustration shows a scissor lift, a PAL Card, and a checkmark. At the bottom, it states 'CURRENT STANDARDS' and 'In the US and Canada: Mobile Elevating Work Platforms (MEWPs) also known as Aerial Work Platforms'.

Teresa Kee
Director, Field Safety
United Rentals
tkee@ur.com

